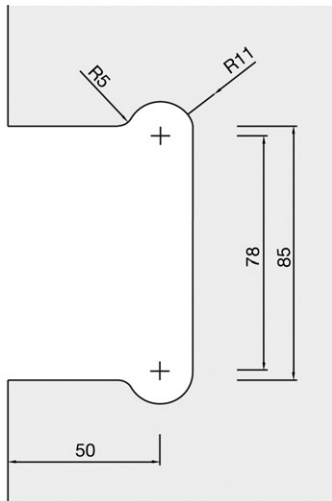
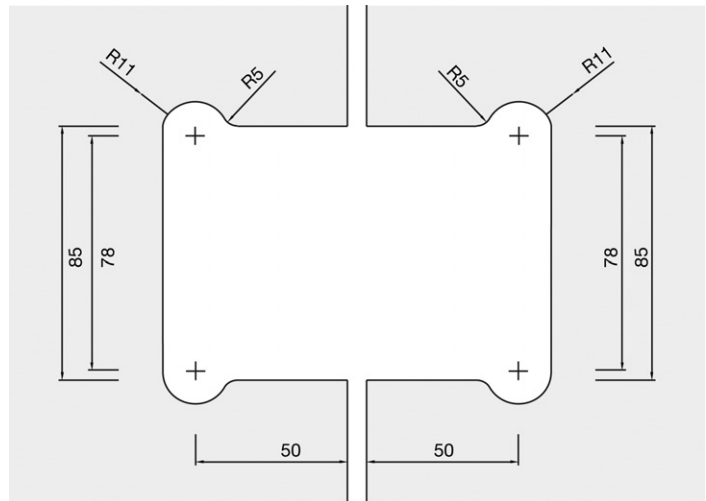


FRAMELESS COMMERCIAL HARDWARE

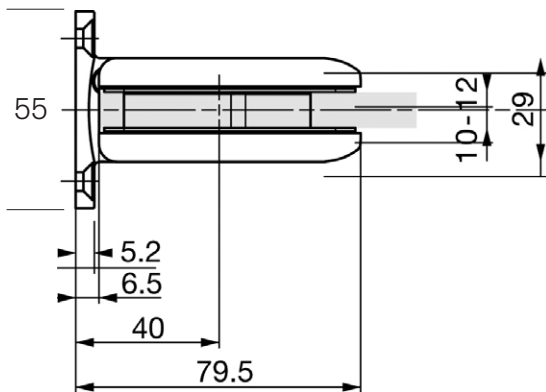
Biloba Hydraulic Door Hinges : Cut Out & installation details



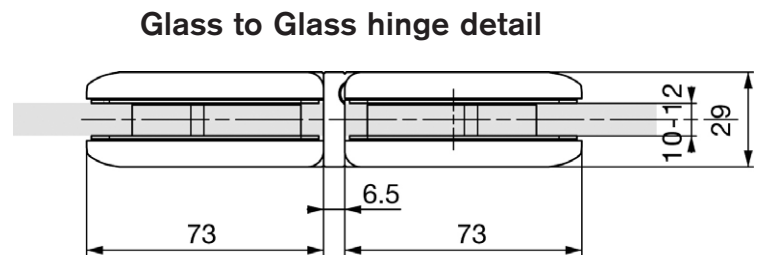
Wall to Glass Cut Out



Glass to Glass Cut Out



Wall to Glass hinge detail



Glass to Glass hinge detail

These self closing hydraulic door hinges are designed to close doors up to 1000mm wide and a 100kg in internal installations. They are suitable for double or single action applications and are available in (HO) Hold Open or (NHO) Non Hold Open. The hinges are available in both glass to glass and glass to frame/wall models and both models are Non Handed, meaning they can be hung on either side of the door opening.

Gaskets are provided so the glass door and side panels can be 10mm or 12mm toughened glass.

Note: Hinges are supplied with the control valves completely closed.

1. Once hinges have been installed open door to 60 - 70°.
2. Open the allen key valves on both hinges approximately half a turn each so the door begins to close.
3. Open or close both valves as required to obtain the desired closing speed, however do not loosen valves too much as this may cause an oil leak.
4. Take care to keep the valves of each hinge synchronized so they both close at equal speed.

See instructions supplied with hinges for full details.