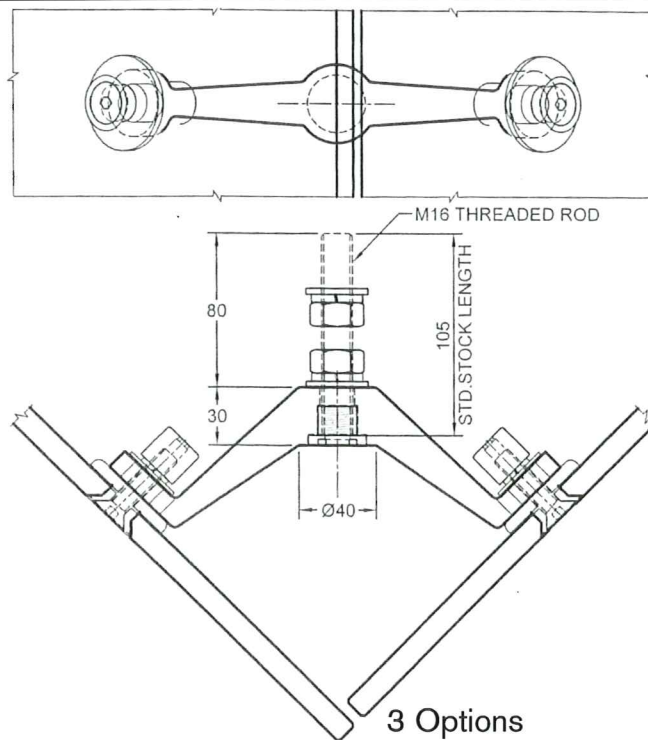
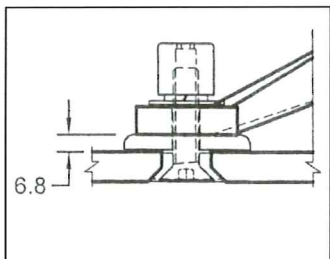
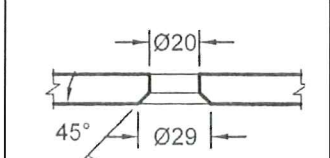
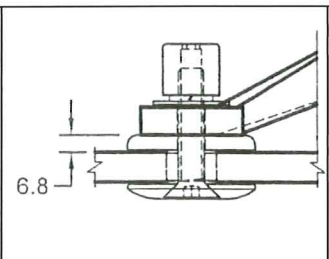
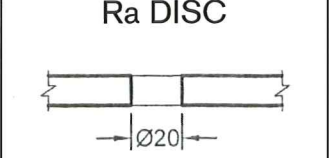
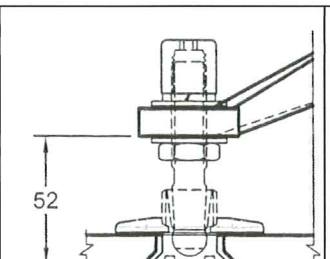
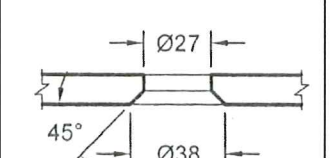
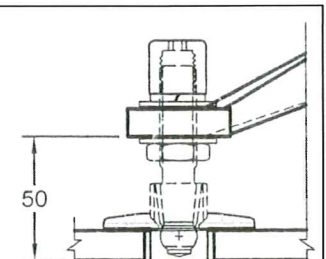
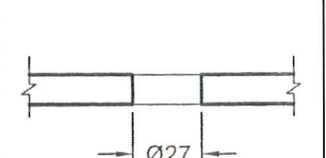


FRAMELESS GLASS HEAVY WEIGHT SPIDERS

Code	Description	Price
446/2M/90°	Specify Glass Thickness and Fixing Type S.T.D Finish 316SSS	P.O.A



Glass Fasteners
Standard

 <p>FIXED M10 Csk SCREW</p>  <p>Glass Hole Detail</p>	 <p>FIXED M10 Csk SCREW Ra DISC</p>  <p>Glass Hole Detail</p>	 <p>SWIVEL 32/22-22n</p>  <p>Glass Hole Detail</p>	 <p>SWIVEL 60/22-22n</p>  <p>Glass Hole Detail</p>
--	--	---	---